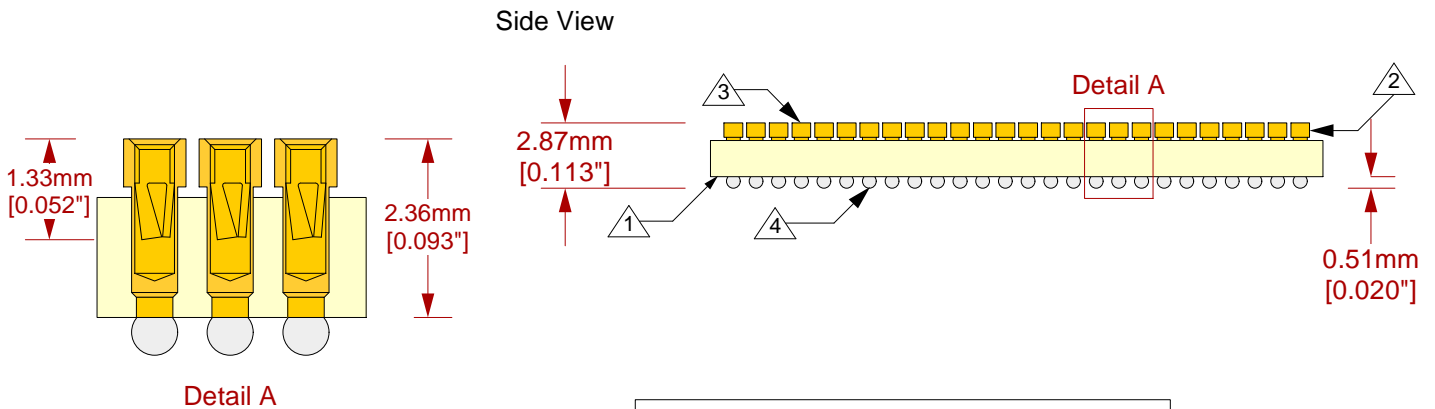
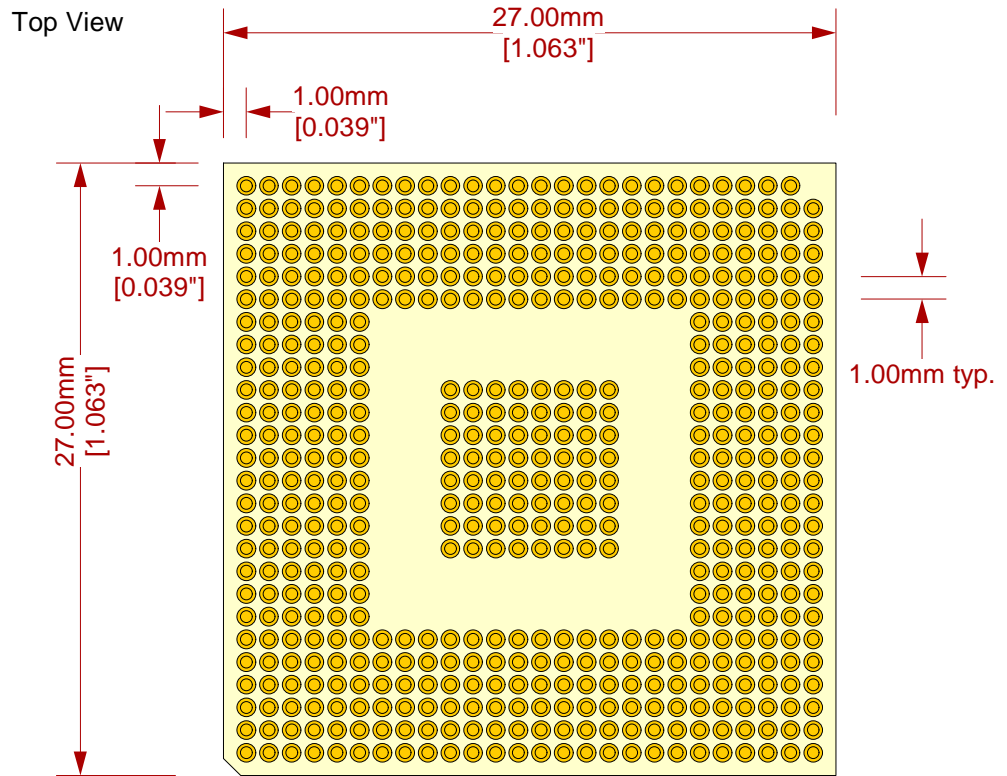


Patent Pending



RoHS COMPLIANT

**CONTACT DATA**

Accepts 0.20mm - 0.33mm Diameter pins  
 3-finger  
 37/25 gram, Initial insertion force (with 0.254mm/0.203mm dia. pin)  
 30/22 gram, normal force (with 0.254mm/0.203mm dia. pin)  
 20/17 gram, extraction force (with 0.254mm/0.203mm dia. pin)

- ① Substrate: 1.59mm  $\pm$ 0.18mm [0.0625"  $\pm$ 0.007"] FR4/G10 or equivalent high temp material. (RoHS)
- ② Pins: material- Brass Alloy 360 1/2 hard; finish- 0.25 $\mu$ m [10 $\mu$ ] Au over 1.27 $\mu$ m [50 $\mu$ ] Ni (min.).
- ③ Contacts: Beryllium Copper Alloy172, HT; Finish- 0.25 $\mu$ m [10 $\mu$ ] Au over 1.27 $\mu$ m [50 $\mu$ ] Ni (min.).
- ④ Solder Balls Sn96.5Ag3.0Cu0.5

**Description:** Giga-snaP BGA SMT Foot

543 position (1.0mm pitch) gold plated female receptacle pins to SMT solder balls (BGA type). Pin assignment 1:1.

**Tolerances:** diameters  $\pm$ 0.03mm [ $\pm$ 0.001"], PCB perimeters  $\pm$ 0.18mm [ $\pm$ 0.007"], PCB thicknesses  $\pm$ 0.18mm [ $\pm$ 0.007"], pitches (from true position)  $\pm$ 0.08mm [ $\pm$ 0.003"], all other tolerances  $\pm$ 0.13mm [ $\pm$ 0.005"] unless stated otherwise. Materials and specifications are subject to change without notice.

<b>SF-BGA543A-B-42F Drawing</b>	Status: Released	Scale: 4:1	Rev: A
<p>© 2008 IRONWOOD ELECTRONICS, INC.                  Tele: (800) 404-0204                  www.ironwoodelectronics.com</p>	Drawing: J. Glab		Date: 01/03/07
	File: SF-BGA543A-B-42F Dwg		Modified: